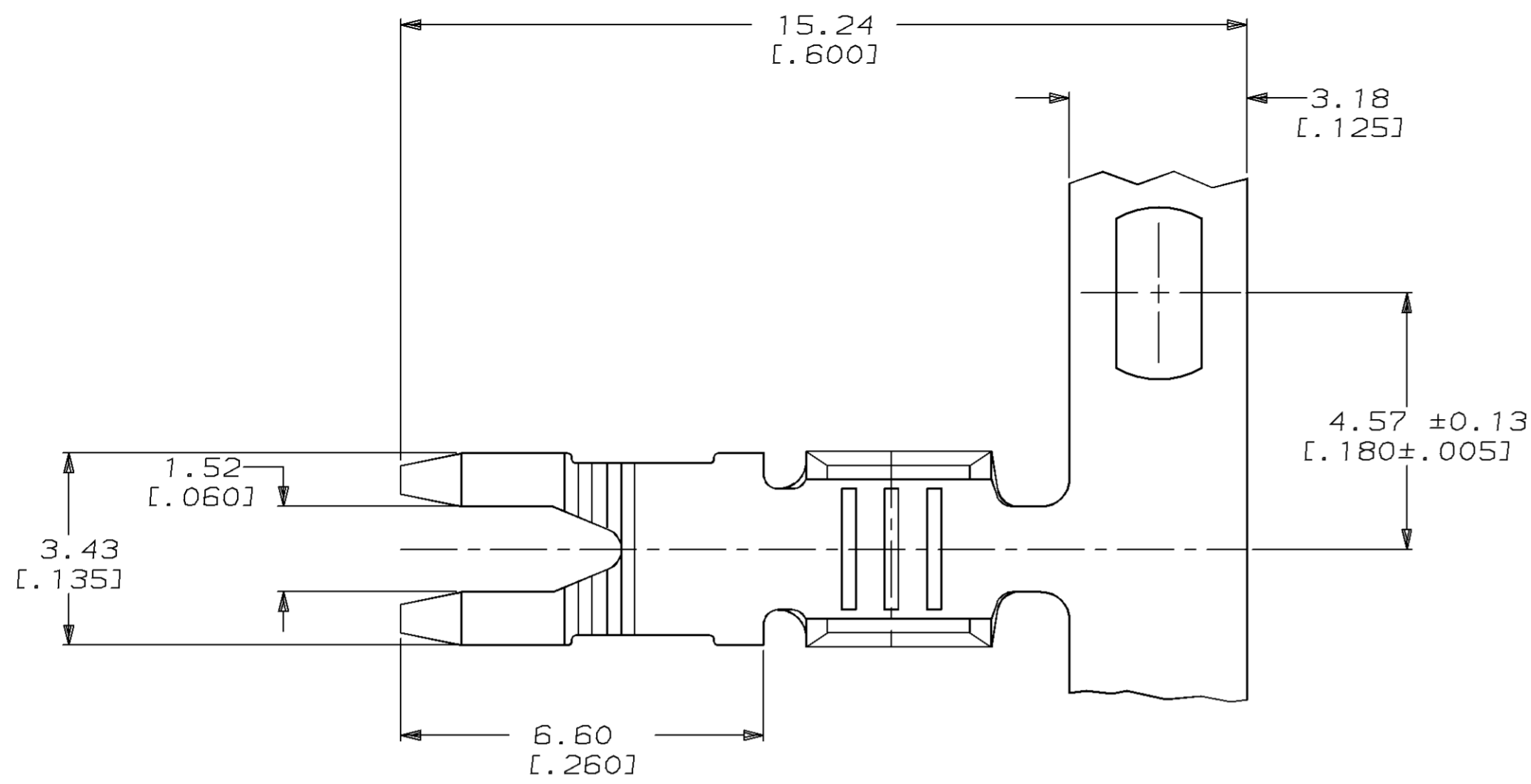
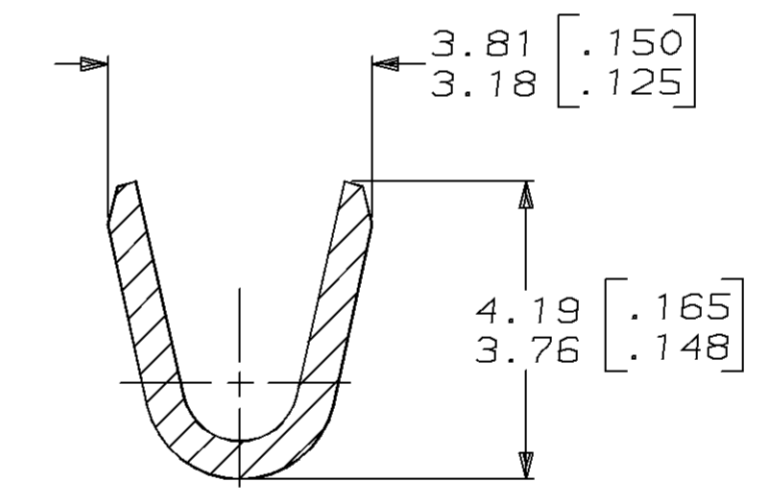
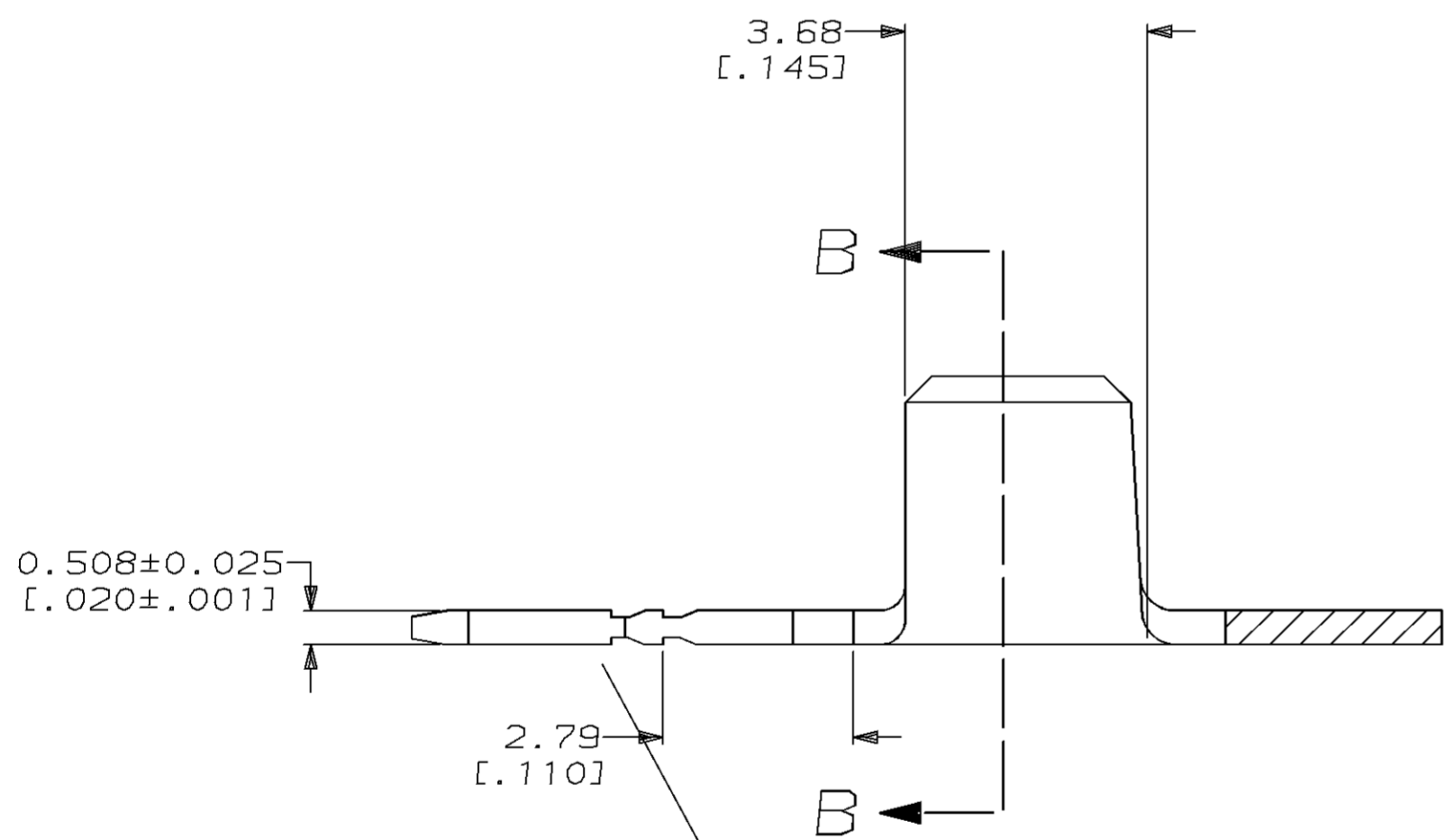


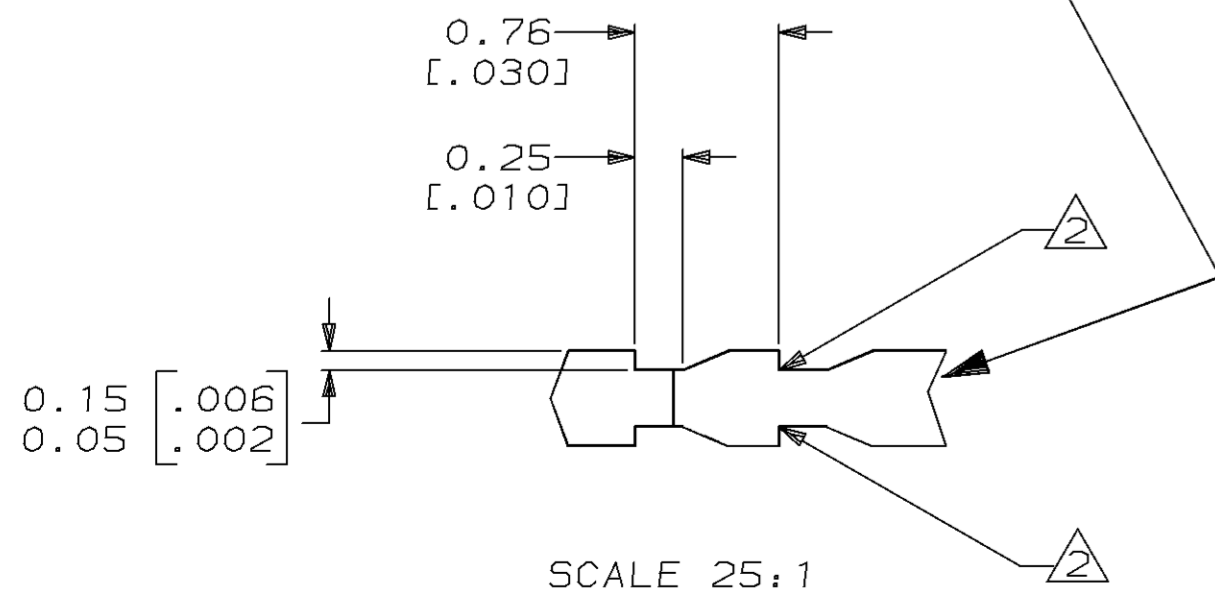
LOC		DIST		ZONE		LTR		REVISIONS		DATE	APPD
AF	50	P	F			A		RELEASE PER 0710-0543-94	21/OCT/94	PF/MF	



1 CONTINUOUS STRIP ON REELS  
 2 FOR OPTIMUM RETENTION IN POKE-IN TYPE MAG-MATE TERMINALS, ONE OF THE SERRATIONS, AS SHOWN, MUST BE ENGAGED WITH THE EDGE OF THE LEAF



SECTION B-B



SCALE 25:1

0.8-2.0 mm <sup>2</sup> [18 - 14] AWG	63775-1
WIRE RANGE	PART NO

DO NOT SCALE PRINT. UNLESS SPECIFIED DIMENSIONS IN mm [INCHES] TOLERANCES ON: 2 PLC DEC ± 0.25 [.010] 3 PLC DEC ± - ANGLES ± -	DR 08/FEB/94 MICHAEL S. FEHER	AMP Incorporated Harrisburg, PA 17105-3608	
	CHK 09/FEB/94 JEFF R. RUTH		
MATERIAL 082 BRASS	APPD 09/FEB/94 ALEX HUNT III	NAME TAB, POKE-IN, MAG-MATE™	
FINISH 0.002032 [.000080] MIN TIN PER MIL-T-10727	APPD 09/FEB/94 TERRY L. SHUTTER	SIZE C 00779	DRAWING NO C=63775
	APPLICATION SPEC 114-2050	SCALE 10:1	SHEET 1 OF 1

THIS DRAWING IS A CONTROLLED DOCUMENT FOR AMP INCORPORATED. IT IS SUBJECT TO CHANGE AND THE CONTROLLING ENGINEERING ORGANIZATION SHOULD BE CONTACTED FOR THE LATEST REVISION.